

## KINGLO SAND



### Information about the product

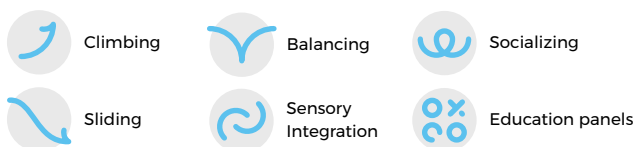
|  |                     |
|--|---------------------|
| Dimensions                                       | 619 x 698 cm        |
| Safety zone                                      | 951 x 1051 cm       |
| Safety zone area                                 | 59,7 m <sup>2</sup> |
| Overall height                                   | 712 cm              |
| Free fall height                                 | 165 cm              |
| Amount of users                                  | 22                  |
| Tallest element                                  | 385 cm              |
| Heaviest element                                 | 70 kg               |
| Product complies with EN 1176-1:2017-121:2017-12 | Yes                 |
| Availability of spare parts                      | Yes                 |
| Age range  | 1-12                |

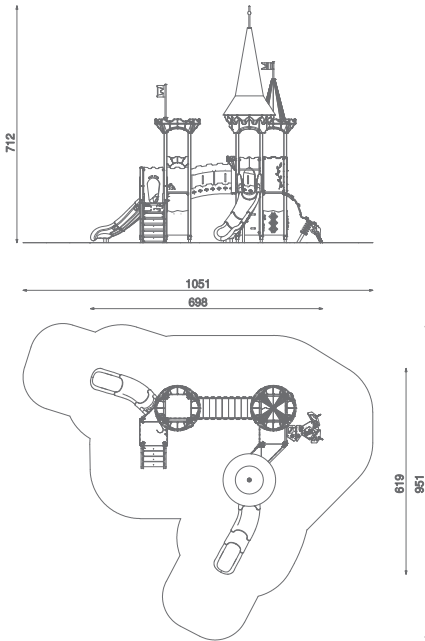
According to EN 1176-1:2017-12 norm, the product requires applying a safety surface according to the product's free fall height.

## KINGLO ICE



### Functions

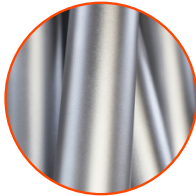




## Materials



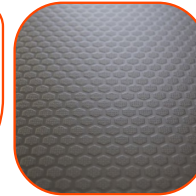
Wood from coniferous trees (Scandinavian spruce), with a cross-section of 90x90 mm, heartwood-free, layered with polyurethane adhesives completely resistant to moisture. The wood undergoes a three-stage impregnation process.



Elements made of stainless steel AISI304 totally resistant to various weather conditions.



Elements made of stainless steel AISI304 totally resistant to various weather conditions.



Anthracite non-slip HPL 18 mm panel with hexagonal structure characterized by maximum resistance to environmental factors and highest durability against abrasion.



Wall panels made of coloured, highest quality HPL 13 mm (black HPL 8mm), completely resistant to moisture and UV.



Wall panels made of high quality, coloured triple-layer HDPE 15 mm, resistant to moisture and UV.



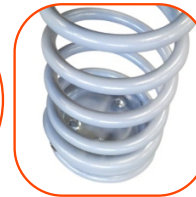
16 mm diameter polypropylene ropes pp-multislip, with a steel core.



Elements made of LDPE material using rotomoulding technique.



LDPE rotomoulding window shutters with directly printed polycarbonate sheets inside.



Spring made of spring steel, with a diameter of 200 mm and a rod diameter of 20 mm. The spring set is powder galvanized and powder coated with polyester paints that are UV resistant.