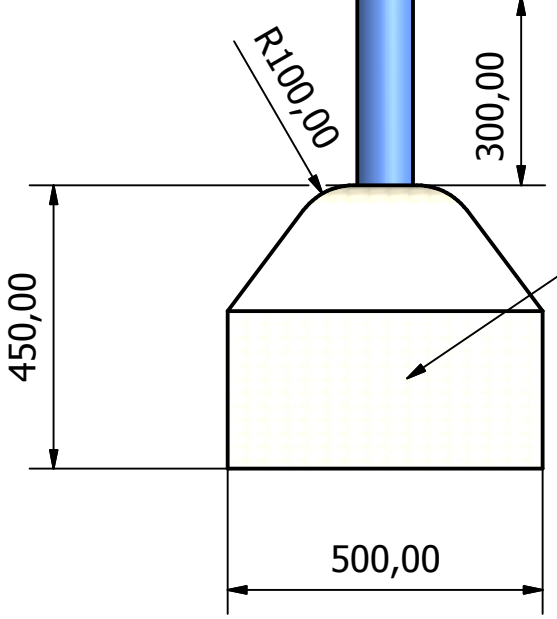
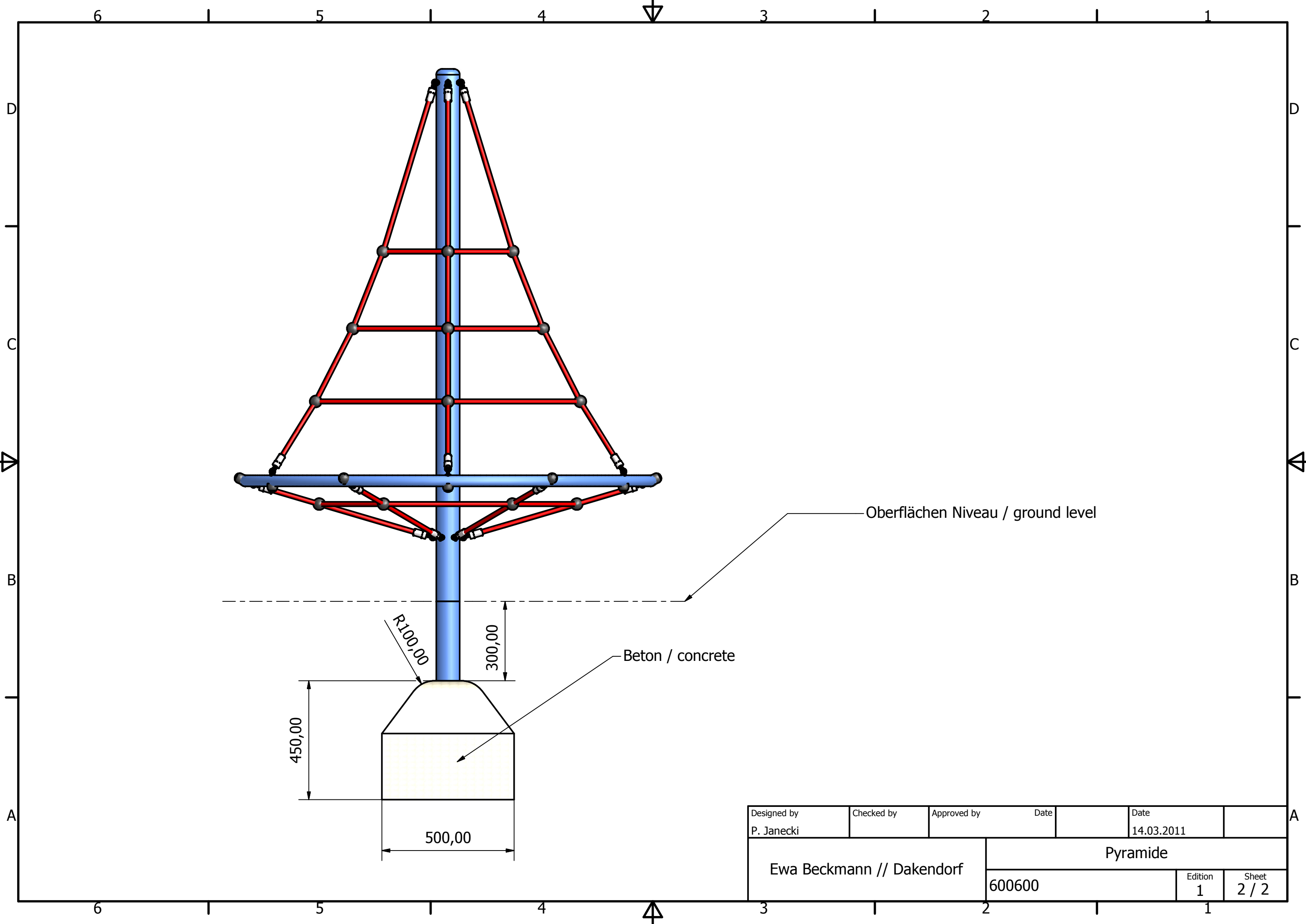


Designed by P. Janecki	Checked by	Approved by	Date	Date 14.03.2011	
Ewa Beckmann // Dakendorf			Pyramide		
600600			Edition 1	Sheet 1 / 2	



Oberflächen Niveau / ground level

Beton / concrete

Designed by P. Janecki	Checked by	Approved by	Date	Date 14.03.2011
Ewa Beckmann // Dakendorf		Pyramide		
		600600	Edition 1	Sheet 2 / 2